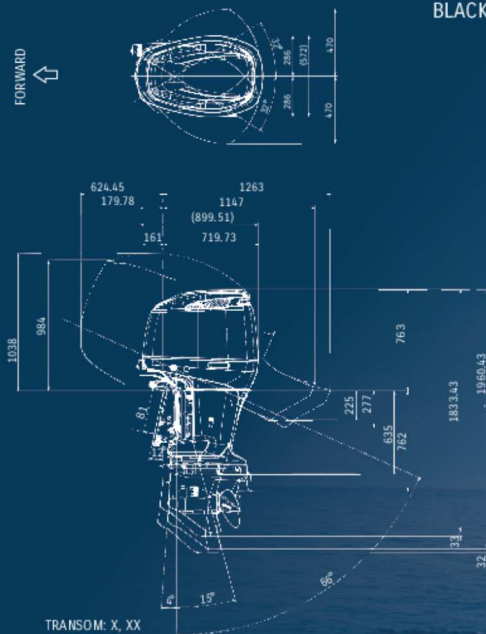


DIMENSIONS



BODY COLOUR

BLACK | WHITE

FEATURES



*1 Excluding the DF200/ DF225 Model
*2 Excluding the DF200

OPTIONAL EXTRA'S



SUZUKI

THE
ULTIMATE
OUTBOARD MOTOR



DF250 / DF225 / DF200

SPECIFICATIONS

	DF250	DF225	DF200
Starting System	Electric		
Recommended Transom Height mm (in.)	X: 635 XX: 762		L: 508 X: 635 XX: 762
Weight (kg)	X: 275 XX: 284		L: 264 X: 275 XX: 284
ENGINE TYPE	DOHC 24 - Valve		
Valve Train Drive	Chain		
Displacement (cm ³)	3,614		
Maximum Output (kW)	183.9	165.5	147.1
Bore and Stroke (mm)	95 x 85		
Operation Range (RPM)	5,500 - 6,100	5,000 - 6,000	
Fuel Delivery System	Electrical Fuel Injection		
Oil Pan Capacity (L)	8.0		
Alternator	12V 54A		
Gear Ratio	2.29:1		
Control System	Mechanical		
Recommended Fuel	RON91 / AKI87		
Propeller Selection (pitch)	15" - 27.5" (R/R) 17" - 26" (C/R)		

SUZUKI
SUZUKI MOTOR CORPORATION
KAWASUJI-CHOU, HAMAMATSU, JAPAN

DURABLE RELIABLE PERFORMANCE

WHEN ONLY THE BEST IS GOOD ENOUGH

The Suzuki DF250, DF225 and DF200 V6 outboard motors are built to be robust and trustworthy, enduring extreme weather conditions and long hours out on the water with their reliable and durable design without compromising on performance. These outboard motors cater to the requirements of general commercial use, providing high torque for precise performance.

FOR COMMERCIAL PROFESSIONALS

The DF250, DF225 and DF200 outboards are receiving great acclaim from commercial operators for its exceptional level of power and performance. Combine that with low exhaust emissions, low noise, and outstanding reliability and we think you'll agree that a Suzuki outboard is the right choice for our business.



HIGH TORQUE

LARGE DISPLACEMENT, LOTS OF TORQUE AND PLENTY OF POWER .

The DF250, DF225 and DF200 outboard engines have high torque, resulting in responsive acceleration and powerful performance. They're great for heavy loads and water activities like fishing, water skiing, and wake boarding. These engines are also fuel-efficient and eco-friendly.

AWARD WINNING TECHNOLOGY

This was Suzuki's fourth Innovation Award and proof that Suzuki leads the way in fuel-injected 4-stroke outboard motors.

STYLISH & COMPACT DESIGN

Experience power and performance from a sleek stylish and compact outboard, designed with an exclusive 55° bank angle and offset driveshaft layout. It will look great on any transom.



Available in: **BODY COLOUR**
BLACK | WHITE



FEATURES



SELF-ADJUSTING TIMING CHAIN

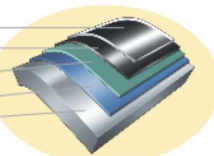
The timing chain that runs in an oil bath is completely maintenance-free and can be adjusted automatically by a highly reliable hydraulic tensioner. Compared to the belt-type chain, this type of chain is significantly more durable and long-lasting.



SUZUKI ANTI-CORROSION FINISH

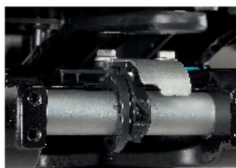
Suzuki's Anti-Corrosion finish is designed to provide the ultimate protection for your outboard. By applying a robust protective layer using high-strength bonding, the exterior parts made of aluminum are shielded against corrosion, ensuring unparalleled durability.

- Resin Clear Topcoat
- Resin Black(or White)
- Basecoat
- Primer Undercoat
- Suzuki Anti-Corrosion Finish
- Suzuki Aluminium Alloy



TILT LIMIT

A Tilt Limit System prevents outboard from tilting beyond a certain angle, avoiding damage to the boat or outboard.



WATER DETECTING SYSTEM

The fuel filter system detects any water intrusion that may result in reduced power output and corrosion. In case any water is detected, the driver will be alerted with audio and visual warnings.



VARIABLE VALVE TIMING

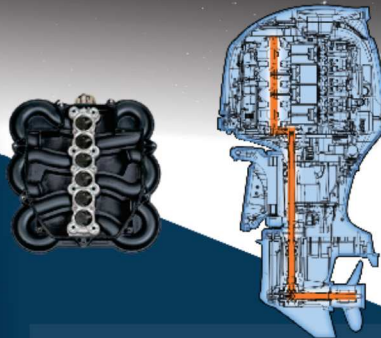
Suzuki's 3.6-liter V6 engine has an aggressive cam profile that delivers maximum output at high rpm. Coupled with Suzuki's advanced Variable Valve Timing (VVT), it offers extra torque for accelerating in the low to mid-range. VVT adjusts the timing of the intake valves and alters intake timing with the camshaft to achieve optimum timing for low and mid-range operation.

*1 Excluding the DF225/DF200 Model



OFFSET DRIVESHAFT

The outboard's center of gravity is moved forward by positioning the engine powerhead closer to the front, resulting in less vibration, more compact size and stable steering performance.

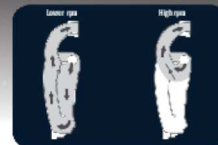


MULTI STAGE INDUCTION

Manifold pipes switch between short and long during low-speed and high-speed operation. This allows the right volume of air to enter the outboard, enhancing combustion efficiency and maximizing torque. This technique improves overall performance by increasing air input.

*2 Excluding the DF200 Model

AIR FLOW IN MULTI-STAGE INDUCTION MODULE



2 STAGE GEAR RATIO REDUCTION

The Offset Driveshaft system has two stages of reduction, allowing it to turn large propellers with high efficiency, powerful navigation, and quick acceleration.

OPTIONAL EXTRA'S



KEYLESS START SYSTEM

Start your car without inserting the key by simply having the key-fob nearby. This system helps deter theft more effectively than a traditional key system.



AUTOMATIC TRIM

The Automatic Trim adjusts the trim angle automatically based on the engine RPM, without the need for manual control. This helps to maintain the trim angle and improve the top speed and fuel efficiency.



TROLL MODE

Suzuki's Troll Mode system provides precise control over engine speed at low rpms for constant trolling. The system uses an independent control switch to adjust revs in 50rpm increments from idle to 1,200rpm. It comes with a convenient control switch and tachometer.



EASY START SYSTEM

Simply turn the key and release, and the starter stays engaged until the engine starts. This system offers a smoother start of the engine.



SUZUKI DIAGNOSTIC SYSTEM MOBILE PLUS (SDSM+)

SDSM+ is an advanced app for boats attached to SMG4/SMD that provides a unique and satisfying boating experience. It allows you to plan your boat trip, check the condition of your boat and engines, inspect them before departure, and provide engine data to the dealer for maintenance.



Trusted by the experts